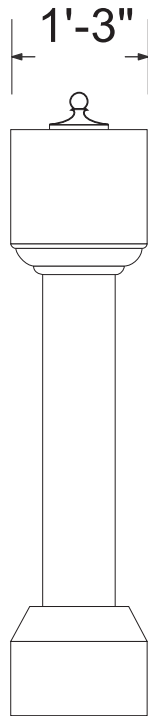
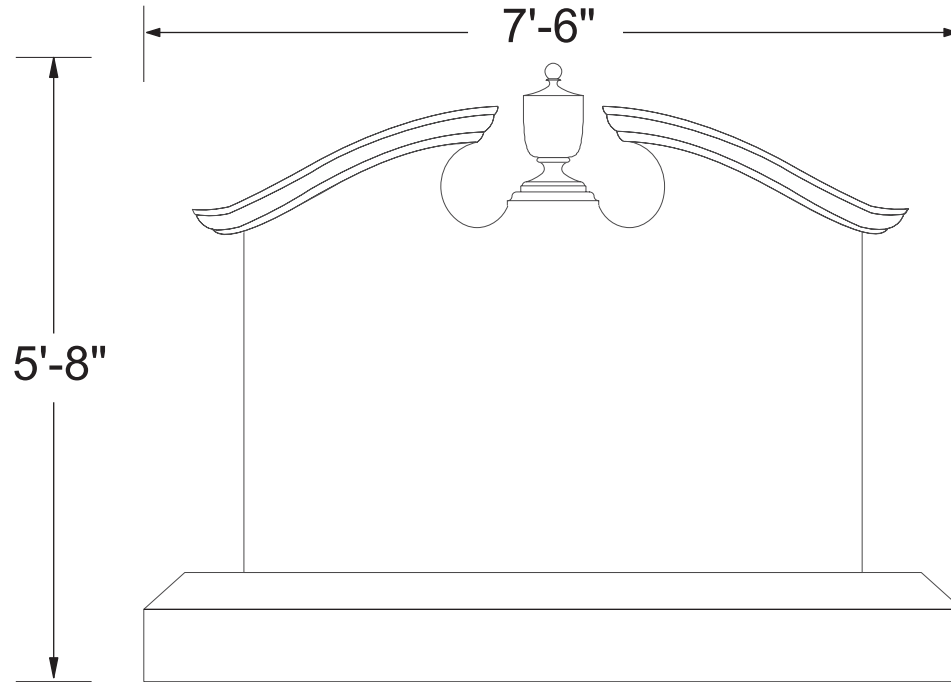


End View



Front & Rear view



Peachtree City
Foamcraft
ARCHITECTURAL ACCENTS & SIGN STRUCTURES
386 Senoia Rd., Tyrone, GA 30290 Ph: 770-487-5491 Fax: 770-487-5408

Standard Model # 42
Size: 7' 6" x 5' 8"
Overall Sq/Ft: 42.5
Date: 1/1/10
Scale: 1/2" = 12"

Notes:

Copyright Notice ©
This drawing and all reproductions thereof are the property of **Peachtree City Foamcraft** and may not be reproduced, published, changed or used in any way without written consent.